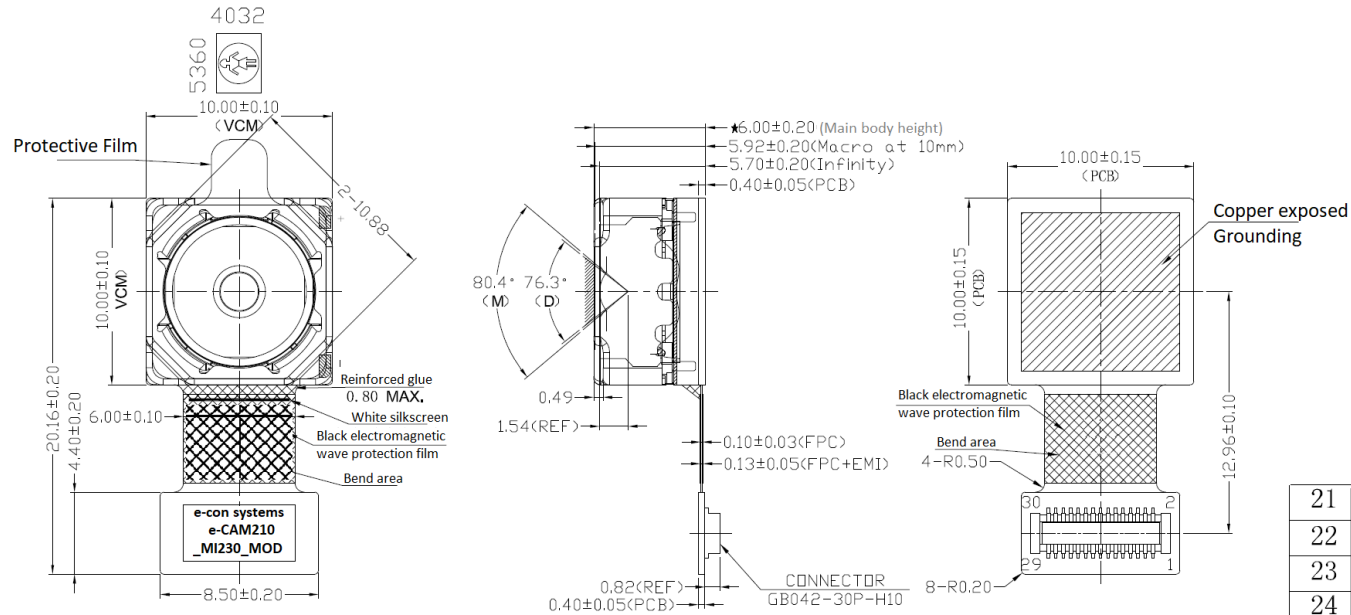


RoHS

### e-CAM210\_MI230\_MOD Mechanical Drawing



#### 30PIN DESCRIPTION

PIN NO.	SIGNAL	
1	DGND	
2	DGND	
3	DGND	
4	XSHUTDOWN	
5	AF_VDD	
6	NC (AF_EN)	
7	SDA	
8	DOVDD	
9	SCL	
10	DVDD	
11	DGND	
12	NC (PWDN)	
13	MCN	
14	NC	
15	MCP	
16	DGND	
17	MDNO	
18	MCLK	
19	MDPO	
20	DGND	
21	MDN1	
22	NC (FLASH)	
23	MDP1	
24	AVDD	
25	NC	
26	AGND	
27	MDN2	
28	MDN3	
29	MDP2	
30	MDP3	

#### Note

- ★ IS CRITICAL DIMENSION
- IIC Address : 0X20 (write), 0X21 (read) ;
- AVDD: 2.5 V, DVDD: 1.1 V, DOVDD: 1.8 V, AF\_VDD: 1.4 to 2.0 V ;
- Driver IC: DW9810;

#### Module Specification

EFL	4.62
F.No	2.2 ± 5%
View Angle	76.3 °
TV- Distortion	≤ 2%
Focusing Range	10 cm ~ Infinity
Chip Type	IMX230
Array Size	21M
Lens Size	1/2.45 INCH 6P



PRODUCT NO.  
**e-CAM210\_MI230\_MOD**

Revision : A2



NOT IN SCALE UNIT mm

SHEET: 1/1